

OWNERS MANUAL

“The LANDSCAPERS CHOICE”

Model # - KLC-60, KLC-72

Serial # - _____ -



170 W 600 N
Shelbyville, IN 46176
(317) 398-4636 or
(317) 398-7973
FAX (317) 398-2107

Limited Warranty

Kasco Mfg. Co., Inc., hereinafter referred to as “Kasco” warrants all its products against defects in materials and workmanship for one year after date of purchase, except those component parts not manufactured by “Kasco” which parts are warranted by “Kasco” only to the extent of the original manufacturers warranty.

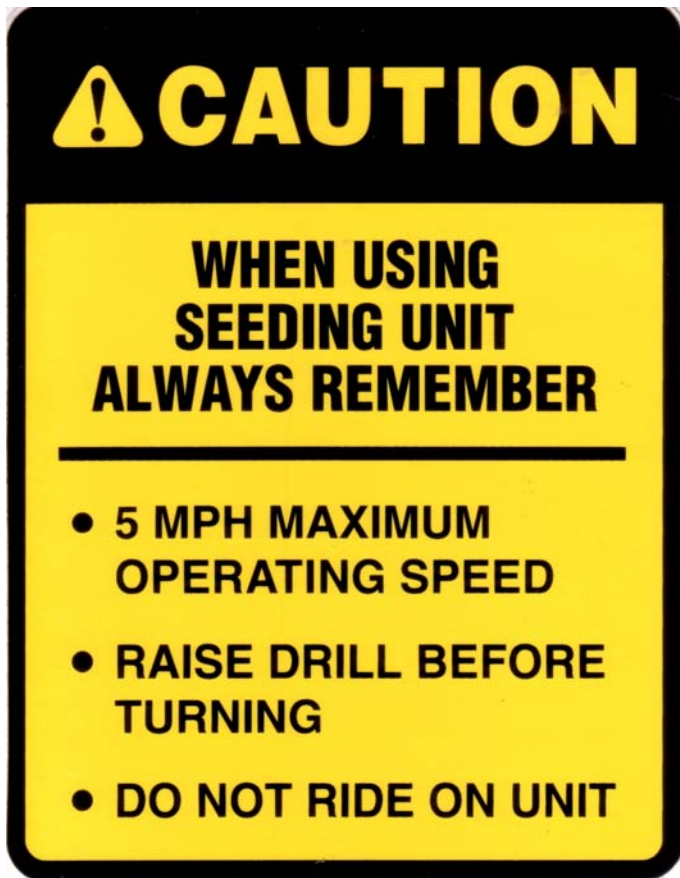
Should any part manufactured by “Kasco” prove defective within one year from date of purchase, supposed defective part shall be returned freight paid to our “Kasco” factory for “Kasco’s” consideration. If found to be defective by “Kasco”, credit will be issued through proper channels, distributor and/or dealer.

“Kasco” will not assume liability for any labor costs, loss or damage caused by a defective part, consequential damages, or operational delays.

Altering or misuse of a part will void the “Kasco Warranty”. Repairing of a part without the expressed permission of “Kasco” voids the “Kasco Warranty”.

“Kasco” neither assumes nor authorizes any person to assume for “Kasco” any other obligations or liability in connection with the sale of its equipment.

“Kasco” reserves the right to make improvements in design or changes in specifications at any time without incurring any obligations to owners of equipment previously sold.



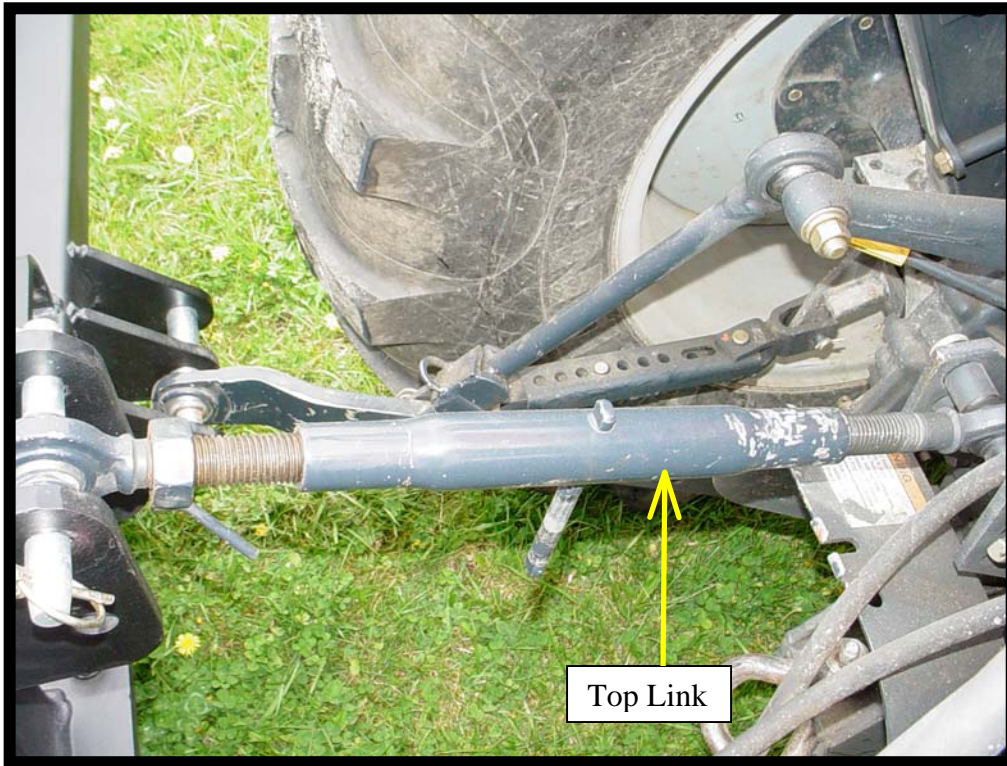
Definitions of Terms

- 1) Hazard- A source of potential injury to a person.
- 2) Safety Sign- A visual alerting device in the form of a decal, label, placard, or other Marking such as embossing, stamping, etching, or other processes that advised the observer of the nature and degree of the potential hazard(s) that can cause injury or death. It can also provide safety precautions or evasive actions to take, or provide other directions to eliminate or reduce the hazard.
- 3) Signal Word- The word that designates a degree or level of hazard seriousness. The signal words are DANGER, WARNING, and CAUTION.
- 4) Danger- Indicates an imminently hazardous situation that if not avoided, will result in serious injury. This signal word is to be limited to the most extreme situations, typically for machine components that, for functional purposes, cannot be guarded.
- 5) Warning- Indicates a potentially hazardous situation that, if not avoided, will result in serious injury, and includes hazards that are exposed when the guards are removed. It may also be used to alert against unsafe practices.

Operating The Landscapers Choice Drill

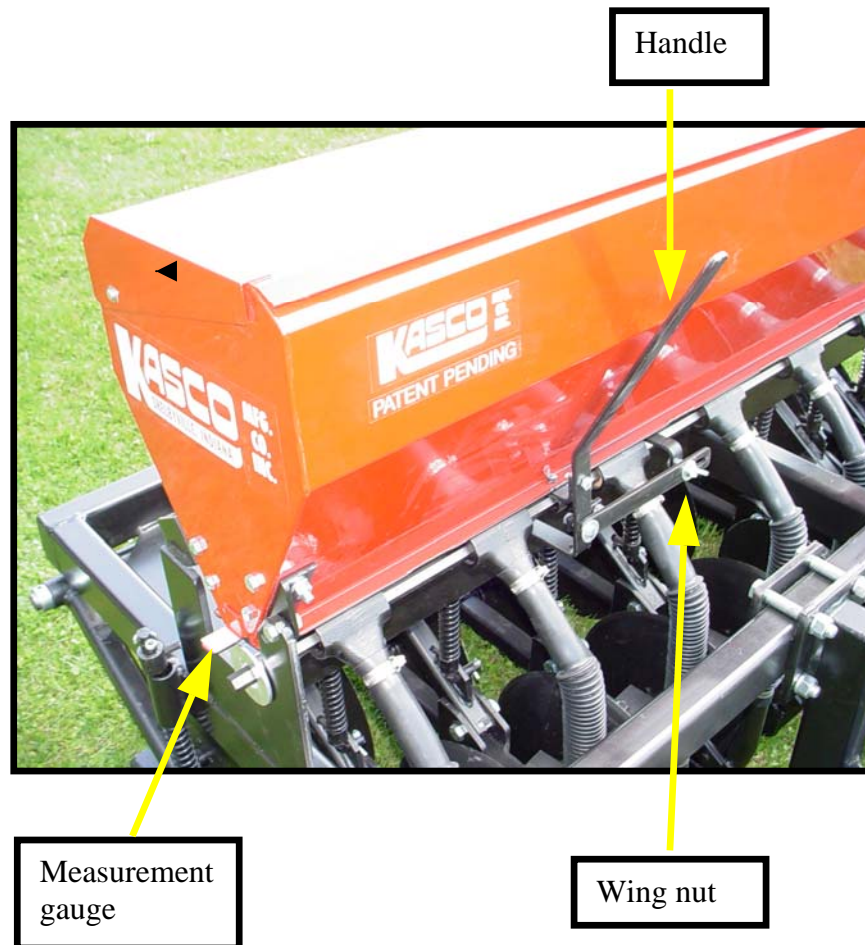
- 1) First carefully read the owners manual.
- 2) Next attach the Drill to the Tractor that you will be using.
- 3) Adjust the top link until the frame of the Drill is level.
- 4) Select what seed type you would like to plant.
- 5) Examine the seed chart to determine what settings are required for the particular type of seed.
- 6) Adjust the seed metering system. (Refer to Illustration)
- 7) Always Clean out hopper before changing seed varieties.
- 8) Set the depth control. (Refer to Illustration)
- 9) After setting the machine make a trial pass to ensure the unit is working correctly.

DEPTH CONTROL



Depth Control is determined by One Measurement
1) The front slicing disc can be adjusted by the top link. Shortening the top link will put more depth and pressure on to the slicing discs; lengthening the top link will remove depth and pressure from the slicing discs.

To Adjust Seed Metering System



- 1) Loosen Wing nut.
- 2) Slide the handle until the measurement gauge is in line with the proper measurement, in accordance to the seed calibration chart.

REMEMBER:

Speed of the transmission + proper opening of the metering system = proper seeding rate.

Metering System Calibration Calculations

Every attempt has been made to provide settings for the most common seeds which are used in the Drill. However, it is understood that other seed types and/or seeding rates may be desired depending upon the usage of the implement. Below is the metering system calibration sequence:

Steps for Calibration of Seed Metering System
1. Block all but one seed drop inside the seed hopper. <i>Note: Capture Seed from (1) Metering System Only – Otherwise Conversion Calculations Below Will Be Affected and an Inaccurate Result Will Occur.</i>
2. Place a Small Cup or Plastic Bag or Other Container Directly under the drop shoot to Collect the Seed as it is Metered from the Hopper.
3. Fill the Seed Hopper with a Small Amount of the Seed Type to be calibrated – The Seed can be placed over the Metering System on the Left Side to Reduce Seed Dropped on the Ground.
4. Using the Provided Seed Rate Chart – Set the Metering System to the Approximate Desired Settings. <i>Note: Use the Seed Chart to Judge Seed Size and lbs/acre to find Starting Settings.</i>
5. Raise the Drill off the Ground. CAUTION: Use Stands or Jacks to Block the Frame of the Drill To Prevent Serious Crushing Injury!!!
6. Rotate the Culti-Packer 20 Revolutions – As the Culti-Packer Wheels are Rotating, Seed will Meter from the Hopper. Ensure that Seed Completely Covers the Metering System in the Hopper During the 20 Rotations for Accurate Results. For drills with seed metering drive wheel rotate the drive tire 13 ½ revolutions.
7. Weigh the Captured Seed in “ <u>Grams</u> ”.
8. Multiply the Seed Weight (in Grams) by 3.2013 to find Seeding Rate in lbs/acre.
9. Adjust the Metering System Opening and Repeat Steps 6 – 8, if Rate needs to be Re-Adjusted.
Please call Kasco Mfg. Co. Inc. at 1-800-458-9129 if there are any questions or concerns during the calibration of the Drill.

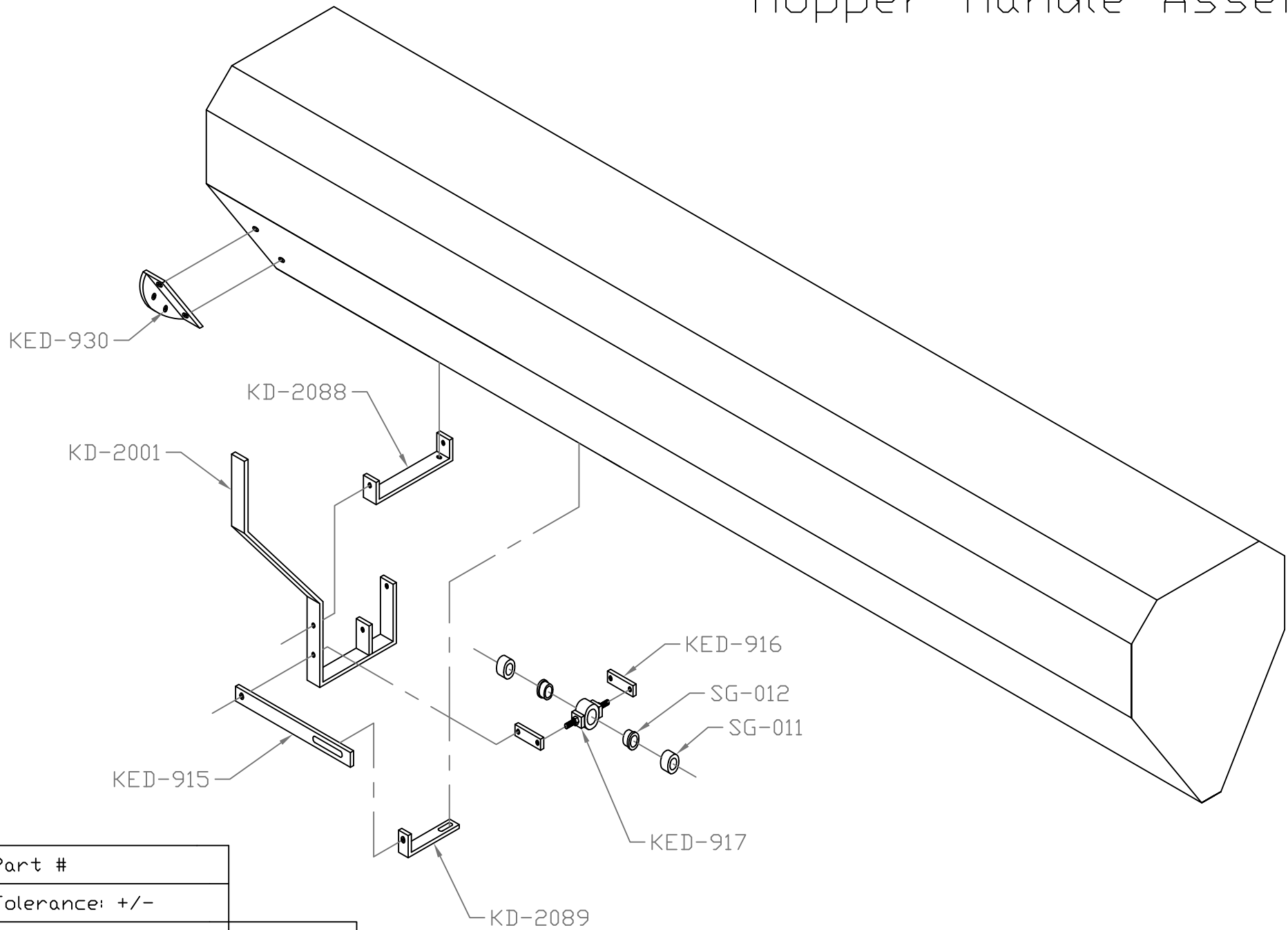
Landscapers' Choice Recommended Seed Settings

CROP	SEEDING RATE	SEED DROP
	lbs /acre	SETTING
Alfalfa	15-20	3/16"
Buckwheat	45-60	7/16"
Canola	10-12	1/8"
Clover, Sweet	10-13	3/16"
Cowpeas	25-40	3/8"
Fescue	150-180	7/8"
Landscape Mixture	120 - 150	7/8"
Millet, Japanese	25-40	3/8"
Milo (Grain Sorghum)	10-25	3/16"
Oats	65-95	11/16"
Orchardgrass	10-12	3/8"
Partridge Peas	10-15	1/8"
Peas, Austrian Winter	90-120	11/16"
Ryegrass, Annual	30-35	1/2"
Ryegrass, Preannual	125 - 160	13/16"
Turnips	3-4	1/16"
Wheat	120-180	3/4"
Fescue	150-180	7/8"
Landscape Mixture	120-150	7/8"
Preannual Rye Grass	125-160	13/16"

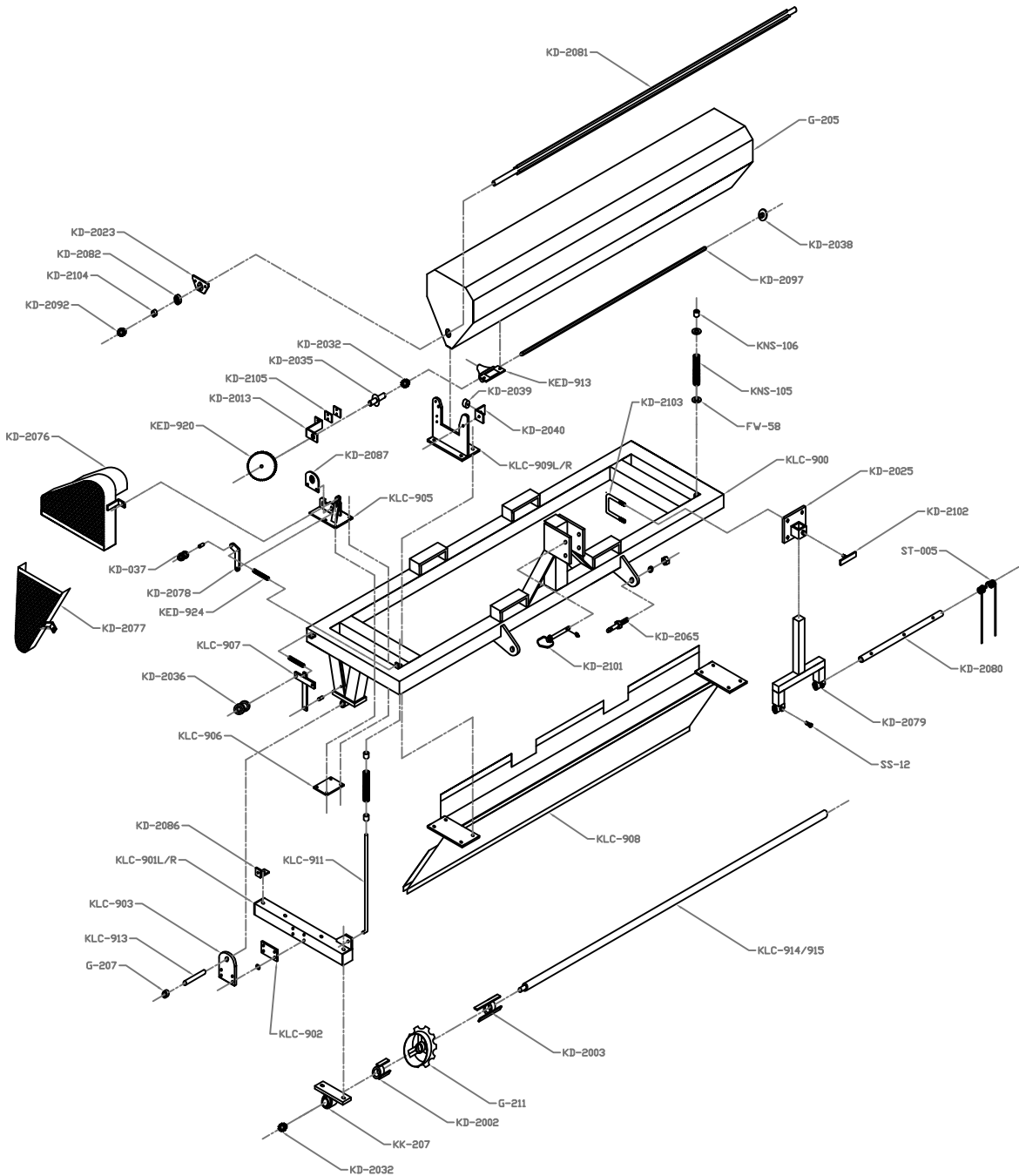
NOTE: NOT FOR USE WITH WARM SEASON GRASSES.

NOTE: This seeding chart is to be used as a guide only. Desired seeding rate may vary according to application and geographic location.

Hopper Handle Assembly



Part #	
Tolerance: +/-	
Date:	Rev.#
KASCO MFG. SHELBYVILLE, INDIANA CO. INC.	Scale:
	User:



Model # KLC-72

Date: 11/26/08



Rev.# 3

User: JH